



CabinetLineDWC LED 1.5 2.5 3.0 Type:

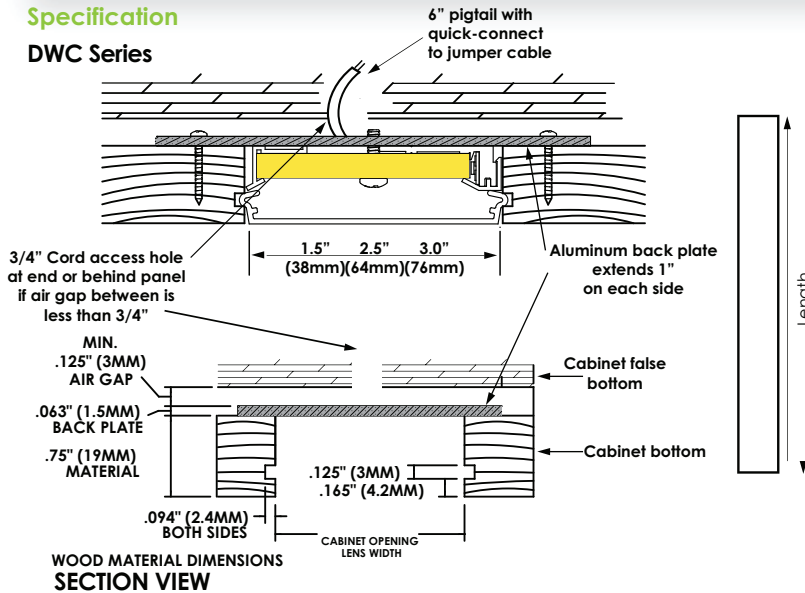
- 1.5", 2.5" or 3" wide line of light is integral with cabinetry
- Aluminum backplate for easy mounting and heat sinking to allow continuous operation
- Perfect for closets, cabinets, headboards and other casework
- Smooth, flush lens provides easy to clean installation
- Even wash of light
- Clean linear reflection in countertops



1.5", 2.5" or 3"

Specification

DWC Series



Complete installation drawings for the production shop; showing wire way cutouts and additional production notes, are available on the web.

Specifications

Dado cavity with grooves in side walls cut during cabinet construction by others. Fixture provides a clean, easy to wipe down lens, no mechanisms to catch and hold dirt and grease. Specified size is for the finished lens opening in the cabinet, the LED module ships with 1/8" (3mm) clearance at each end for wiring clearance for installation. Order the cabinet/mill work shop install kit "DWCK", for construction dimensions and samples of components to ensure proper construction of cabinet or casework. For lengths over 80" consult factory for cord exit locations.

LED

Under driven Low Wattage White light LEDs produce even distribution with no shadows or hot spots. Blending and overlapping optics of LED keep color uniform, 2700K or 3000K LED available in 85+ or 90+ CRI. Note that 90+ CRI has R9 greater than 0, but reduces lumen output 15%.

Optics

Light guide diffuses multiple LED sources and is secured to aluminum back plate with clear plastic screws. Standard units with 15ft (4.5m) class 2 cable with DC quick connect at panel. See options for plenum rated cable. Snap in high transmission Acrylic lens provides a matte white finish for a dimensionless appearance. Lenses shipped 3" longer to allow for precise cabinet shop installation.

Modifications

Runs can be provided to the nearest 1/16" or 1mm. Consult factory for lengths over 120" (1.5M) or for complex cabinet layouts to minimize power supplies, bridging multiple boxes, and additional details such as hidden door switches.

Environmental Data

For Standard Output lamping at 3000k:
W: 4.9W/ft (16W/m)
LLD: 50,000hrs @ 70%lm
20ft (6M) on one 100w driver

For High Output lamping at 3000k:
W: 9.8W/ft (32W/m)
LLD: 50,000hrs @ 70%lm
(2) 60in (1.5M) panels on one 100w driver

Operating ambient -20C (-4F) to 30C (86F)
No Mercury, No UV
Warranty: 5 Years
ETL Listed per UL 2108 & compliant with NEC Article 410.16(A) (1) & (C)(5) for use in closet storage areas

Ordering

Series	DWC15	<input type="checkbox"/>	Dado Wood Continuous 1.5" wide
	DWC25	<input type="checkbox"/>	Dado Wood Continuous 2.5" wide
	DWC30	<input type="checkbox"/>	Dado Wood Continuous 3" wide
Lamping	1ML	<input type="checkbox"/>	175lu/ft LED 4.9w/ft (16w/m)
	2ML	<input type="checkbox"/>	350lu/ft LED 9.8w/ft (32w/m)
Color	27	<input type="checkbox"/>	2700K, 85+ CRI
	279	<input type="checkbox"/>	2700K, 90+ CRI
	30	<input type="checkbox"/>	3000K, 85+ CRI
	309	<input type="checkbox"/>	3000K, 90+ CRI
	35	<input type="checkbox"/>	3500K, 85+ CRI
	40*	<input type="checkbox"/>	4000K, 85+ CRI
	50*	<input type="checkbox"/>	5000K, 85+ CRI
			* In 2ML lamping only
Length	xx	<input type="checkbox"/>	Up to 80" (2032mm) single panel; longer requires multiple panels & cord access holes
Units	mm	<input type="checkbox"/>	mm
	in	<input type="checkbox"/>	inches
Options	CL2P35	<input type="checkbox"/>	35ft Plenum rated jumper cable (replaces 15' standard cable)
Accessories	DWCKxx	<input type="checkbox"/>	Dado Wood C Kit for cabinet shop. Sample section, xx=width, of lens, inactive panel and backplate.
	SW60	<input type="checkbox"/>	Field install switch

R-ELV Driver

Economical electronic remote mounted power supply with 24Vdc Constant Voltage output for simple class 2 installation.
20W, 40W, 60W or 96W; 120V 60Hz input. Minimum 50% watt load required; e.g. 10W on ELV20
Dims to 20% with forward phase 2-wire magnetic low voltage dimmer. Short circuit and overload protected.
Non-IC installations.
Listed for 90 C conductors with 1/2" trade size knock outs.
NEMA 3R aluminum enclosure, rated for outdoor use
See Power Supplies spec sheet for additional information and alternate power supplies.

R-Nxx & D010 Drivers

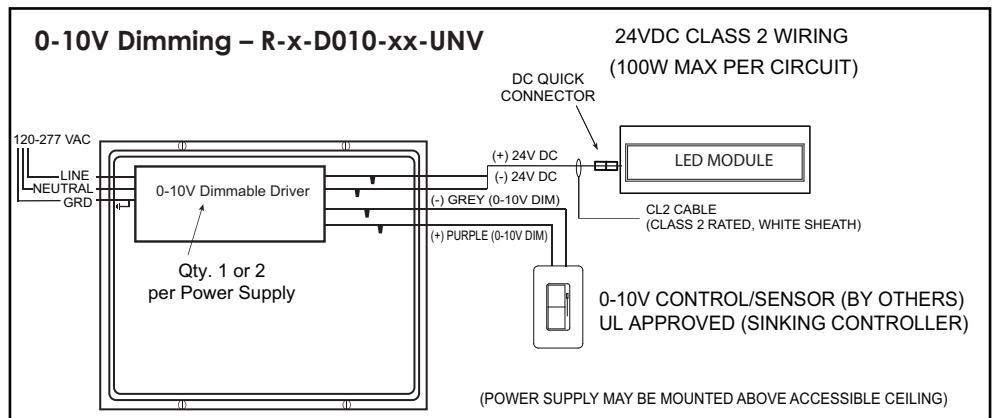
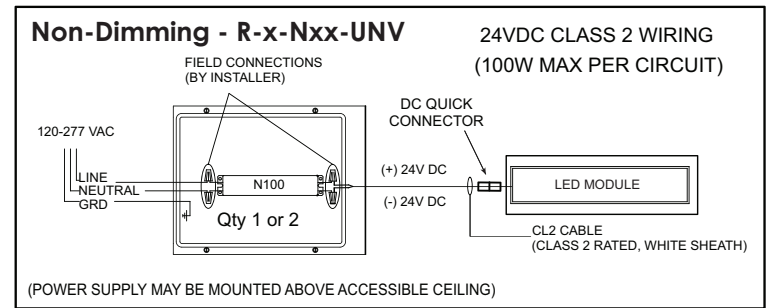
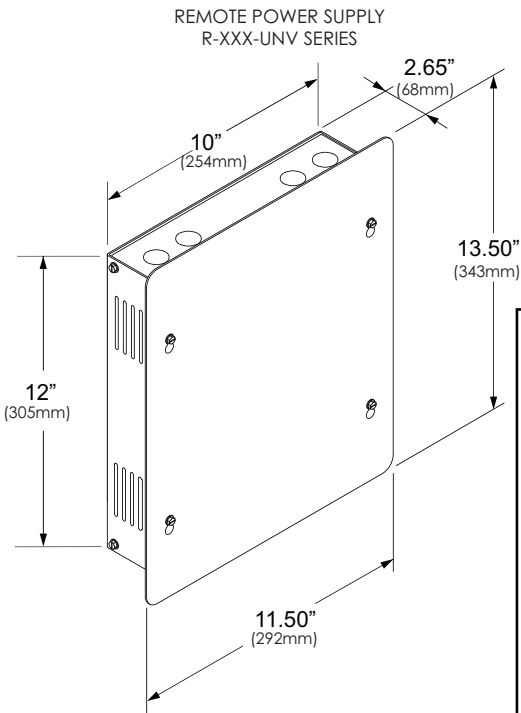
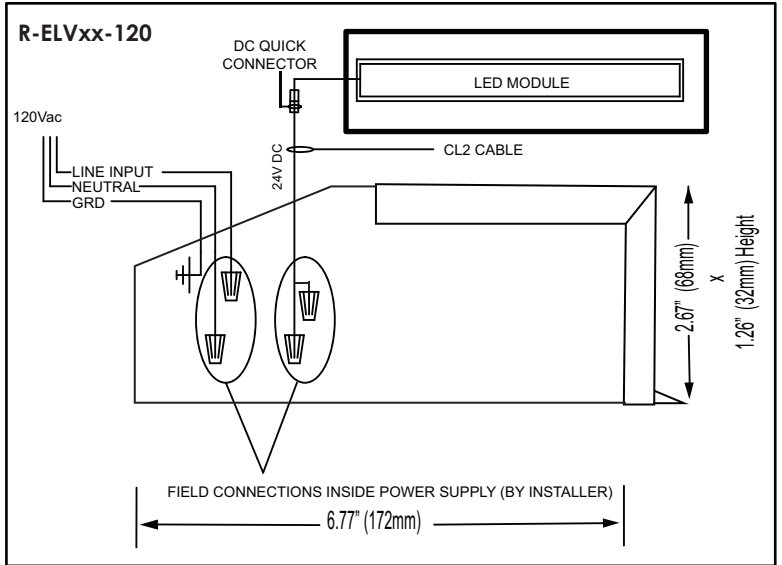
Remotely located power supply with 24Vdc Constant Voltage output for simple class 2 installation.
Electronic Drivers 50/60 Hz, 120 thru 277 input.
Choice of 0-10V dimming or switched on/off. 0-10V dimmable drivers may flicker below 10%. Adjust low end trim of dimmer accordingly.
Type A Sound Rating,
Nxx requires 8W and D010 requires 20W minimum load
Non IC installations standard; consult factory for IC installation.
May be surface mounted or recessed in 2x4 walls or above accessible ceilings.
Housing is die formed 16ga CRS with White painted after fabrication finish.
Listed for 90°C conductors with 1/2" trade size Knock Outs.
See Power Supplies spec sheet or consult factory for additional driver options.

R-DLUT96-UNV

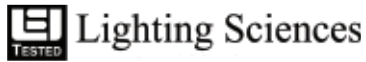
Remote power supply 24Vdc Constant Voltage Output. 50/60Hz, 120 thru 277V input.
Class A sound rated.
Rated for Damp location use. Non-IC installations.
Dims with 3-Wire dimmer or EcoSystem™
Requires 25W minimum load.
For more info visit:
<http://www.lutron.com/TechnicalDocumentLibrary/369883.pdf>

Driver*	R	<input type="checkbox"/> Remote
Drive Qty Per	-	<input type="checkbox"/> Blank for ELV type & DLUT type
Power Supply	X	<input type="checkbox"/> Factory determined with Nxx100 or D010 type
Type	ELVxx	<input type="checkbox"/> Elec low voltage, 20, 40, 60 or 96W
	Nxx	<input type="checkbox"/> Electronic non-dim, 100W max.
	D010	<input type="checkbox"/> Dimming via 0-10Vdc
	DLUT96	<input type="checkbox"/> Lutron Hi-Lume Premier 96W
Voltage	UNV	<input type="checkbox"/> Universal 120-277V Nxx100, D010 & DLUT type
	120	<input type="checkbox"/> 120 for ELV type

* See Power Supplies spec sheet for additional versions and details



Photometric Data



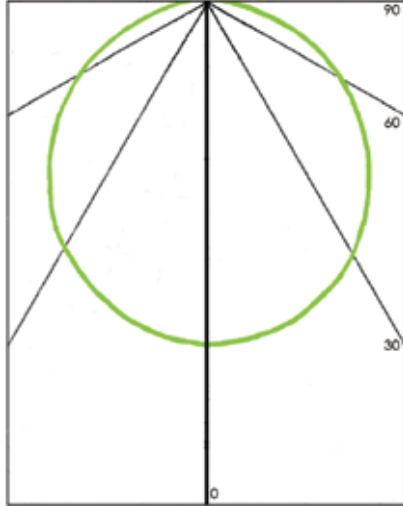
Independent Test No. 27940

LED cat number: S25-N-D1-L35-2-W-UHV-R-N12V-1C-M-22.25-M-in
Advance Driver: LED-1HTA-OO12V50-FO operating at 120v
Total Lumen: 367 lms

* Multiply all data by .50 for 1ML or .25 for 3KL lamping.

This is an absolute test.
Luminous Length: 22.25"
Width: 2.5"

Candlepower Distribution (cd)



Angle	Along	45°	Across
0°	130	130	130
5°	129	129	129
10°	128	127	127
15°	124	125	124
20°	120	121	120
25°	115	116	115
30°	109	110	109
35°	102	103	102
40°	94	95	94
45°	85	87	86
50°	76	77	76
55°	66	68	67
60°	56	58	57
65°	46	47	47
70°	36	37	36
75°	26	27	26
80°	16	17	16
85°	7	8	7
90°	0	0	0

Zonal Lumen Summary

Zone	Lumen	% Luminaire
0-30°	100	27.26
0-40°	163	44.52
0-60°	288	78.37
0-90°	367	100
40-90°	204	55.48
60-90°	79	21.63
90-180°	0	0
0-180°	367	100

Luminance Data (cd/m2)

Angle	Along	45°	Across
45°	3349	3434	3402
55°	3206	3292	3260
65°	3032	3137	3086
75°	2799	2913	2767
85°	2238	2483	2266

1. Install LED Module in Dado, feed wires to power supply.



2. Install Glazier mounting points to hold module in place.



3. Snap in front lens.

