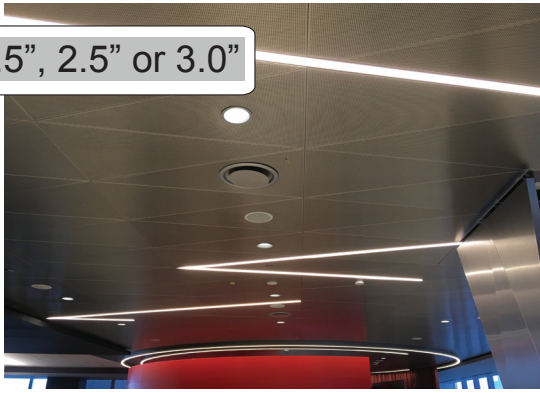
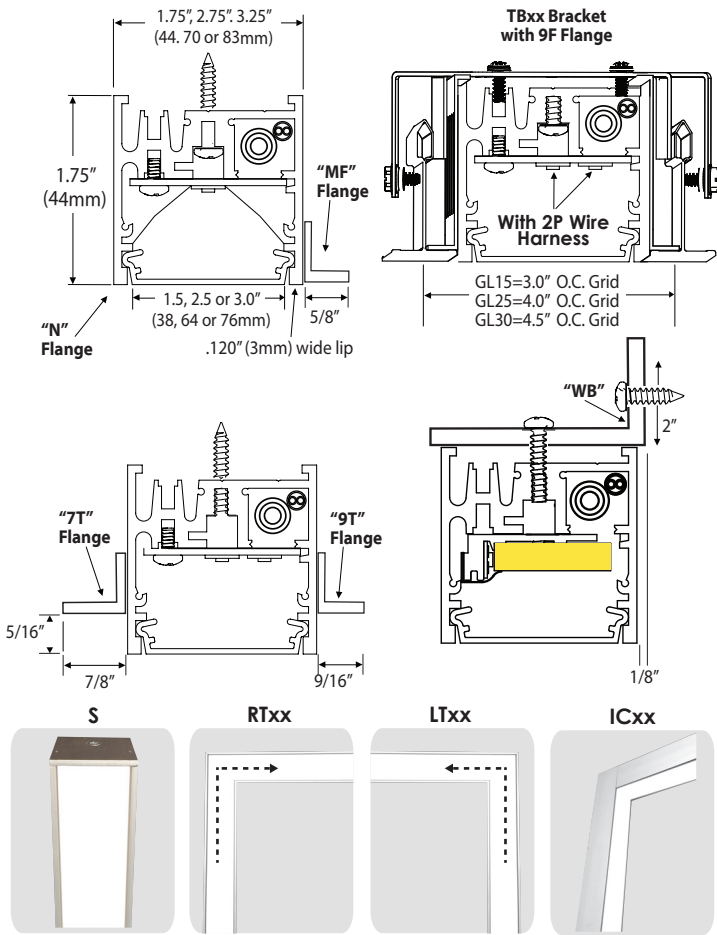
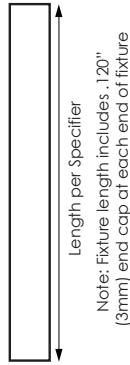


1.5", 2.5" or 3.0"



Narrow lines of light the thickness of a T-bar
 Use in ACT, Drywall or Surface mount applications
 Can be integrated with matching width SimpleLine fixtures in same run
 Continuous seamless lens
 Socket shadow free illumination
 LED panels are replaced through lens opening



Environmental Data

For 3KL lambing at 3000k:
 W: 2.5W/ft (8W/m)
 LLD: 50,000hrs @ 70%lm
 40ft (6M) on one 100w driver

For Standard Output lambing at 3000k:
 W: 4.9W/ft (16W/m)
 LLD: 50,000hrs @ 70%lm
 20ft (6M) on one 100w driver
 12ft (3.7M) on one 60w driver

Shipping		Ordering	
C	<input type="checkbox"/> Ship Complete Fixture	GL15	<input type="checkbox"/> GridLine LED 1.5 inch width
H	<input type="checkbox"/> Ship Housing and Driver	GL25	<input type="checkbox"/> GridLine 2.5 inch width
L	<input type="checkbox"/> Ship LED and Lens	GL30	<input type="checkbox"/> GridLine 3.0 inch width
Series		1ML	<input type="checkbox"/> 175lu/ft LED 4.9w/ft (16w/m)
		1AML*	<input type="checkbox"/> 285lu/ft LED 4.9w/ft (16w/m)
		2ML	<input type="checkbox"/> 350lu/ft LED 9.8w/ft (32w/m)
		2AML*	<input type="checkbox"/> 570lu/ft LED 9.8w/ft (32w/m)
		*Available with GL15 series only	
Lamping		27	<input type="checkbox"/> 2700K, 85+ CRI
		30	<input type="checkbox"/> 3000K, 85+ CRI
		35	<input type="checkbox"/> 3500K, 85+ CRI
		40*	<input type="checkbox"/> 4000K, 85+ CRI
		50*	<input type="checkbox"/> 5000K, 85+ CRI
		*In 2ML lamping only	
		*Consult factory for RGB or RGB/W	
Wire Harness		1	<input type="checkbox"/> Single
		2P	<input type="checkbox"/> Two harnesses for two rows of LED
Lens		W	<input type="checkbox"/> White
Driver		R	<input type="checkbox"/> Remote
Start End		S	<input type="checkbox"/> Straight End (no flange)
		F	<input type="checkbox"/> Flange End to match Grid/Flange type below
		RECF	<input type="checkbox"/> _x_ Rectangle Flat XX" by XX" (see Ex. #4)
Length		xx	<input type="checkbox"/> xx is distance in inch or mm
Grid/Flange Type		N	<input type="checkbox"/> No flange
		MF	<input type="checkbox"/> Mud-in flange
		9F	<input type="checkbox"/> 9/16" flange flush
		7F	<input type="checkbox"/> 7/8" flange flush
		9T	<input type="checkbox"/> 9/16" flange raised 5/16" for tegular tiles
		7T	<input type="checkbox"/> 7/8" flange raised 5/16" for tegular tiles
Flange Sides		A	<input type="checkbox"/> All sides
		FL	<input type="checkbox"/> Flange on Left side only
		FR	<input type="checkbox"/> Flange on Right side only
Transition (Only if lens changes direction)		LTxx	<input type="checkbox"/> Left Turn same plane (degrees 90° to 179°)
		RTxx	<input type="checkbox"/> Right Turn same plane (degrees 90° to 179°)
		ICxx	<input type="checkbox"/> Inside Corner (degrees 90°)
		(Add Lengths & Transitions to form pattern)	
Finish End		S	<input type="checkbox"/> Straight End (no flange)
		F	<input type="checkbox"/> Flange End to match Grid/Flange type above
Flange/Lip Color		NA	<input type="checkbox"/> Natural anodized
		BZ	<input type="checkbox"/> Bronze
		BK	<input type="checkbox"/> Black
		WH	<input type="checkbox"/> White
		(Add E if entire fixture needs color)	
Units		mm	<input type="checkbox"/> mm
		in	<input type="checkbox"/> inches
Options		WMB	<input type="checkbox"/> Wall Mount Bracket
		CL2Pxx	<input type="checkbox"/> Longer length CL2P supply cable (std is 15ft) to reach remote power supply.
		CP	<input type="checkbox"/> Chicago Plenum
		TBxx	<input type="checkbox"/> T-Bar Mtg. Bracket (xx = 15, 25 or 30)
		TRxx	<input type="checkbox"/> Threaded Rod Mtg. Bracket (xx = 15, 25 or 30)
		WBxx	<input type="checkbox"/> Wall Mount Bracket (xx = 15, 25 or 30)

For High Output lambing at 3000k:
 W: 9.8W/ft (32W/m)
 LLD: 50,000hrs @ 70%lm
 10ft (3M) on one 100w driver

Temp range: 0° ~ 90°F (-20 ~ 30°C)
 No Mercury, No UV, No Flicker
 Warranty: 5 years
 cETL Listed



GridLineLED^{1.5, 2.5 or 3.0} x 1-3/4"

Housing

Extruded aluminum housing mounts via screws to framing or with option mounting brackets to ACT ceiling, threaded rod or walls. Surface material* (metal, tile, stone, etc.) can abut housing sides.
 * If wood on 3 sides, drill 3/4" holes behind fixture every 6" to ensure adequate venting.
 Anodized for superior thermal performance.
 Housings ship with 15ft CL2P cable attached to back, to reach remote power supply. Longer lengths optional.
 One-piece extrusions up to 123in (3.12m). Multiple extrusions couple together with brass barrel connector & bolt assembly plus alignment pins for secure fit and straight alignment.
 End caps attach via single screw connecting to brass barrel nut plus alignment pins.
 Inside corner sections overlap for even illumination without direct view of LEDs.
 ETL listed, IC rated, damp location.

Modifications

For unique custom work, such as corners angled ends or patterns, consult factory for shop drawings.

Options

"CP" Chicago Plenum rated housing with 6ft whip of FMT attached.

Ends & Flanges

"S" Machined aluminum end to start or stop a section.
 Flange options for drywall or ACT ceilings with factory installed angle moldings from ceiling manufacturer.

Transitions

When lens changes directions (Minimum length 3.875" or 98mm per side).
 "LT" Left Turn same plane (degrees 90° to 179°); pre-assembled at factory.
 "RT" Right Turn same plane (degrees 90° to 179°); pre-assembled at factory.
 "IC" inside corner between two planes. Housings overlap and tab together for alignment.

LED

Low wattage white light LED produces even distribution with no shadows. Binned within 2 MacAdam ellipses.
 Blending and overlap keep color and light output uniform.

Optics

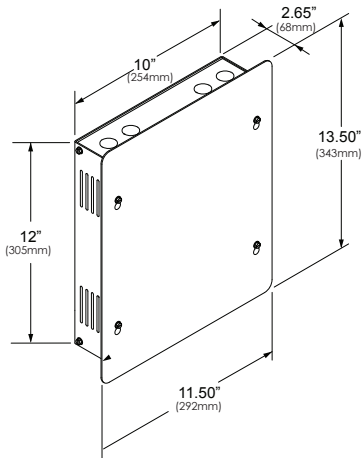
Closely spaced LEDs on aluminum plate with #AML white reflector for maximum efficiency; or with #ML acrylic light guide panel for even illumination across wider apertures.
 Panel plugs into housing via quick connects & is secured with screws for quick & easy replacement.
 Snap-in high transmission acrylic lens, up to 26ft per section, provides a matte white finish & even distribution.
 Lens fits flush with finished bottom of housing.

R-xxx-UNV Drivers

Remotely located power supply with 24Vdc Constant Voltage output for simple class 2 installation.
 Electronic Drivers 50/60 Hz, 120 thru 277 input.
 Choice of 0-10V dimming or switched on/off. 0-10V dimmable drivers may flicker below 10%. Adjust low end trim of dimmer accordingly.
 Type A Sound Rating,
 Non IC installations standard; consult factory for IC installation.
 May be surface mounted or recessed in 2x4 walls or above accessible ceilings.
 Housing is die formed 16ga CRS with White painted after fabrication finish.
 Listed for 90°C conductors with 1/2" trade size Knock Outs.
 See Power Supplies spec sheet or consult factory for additional driver options.

Driver*	R	<input type="checkbox"/> Remote
Drive Qty Per	-	<input type="checkbox"/> Blank for DLUT type
Power Supply X		<input type="checkbox"/> Factory determined with N100 or D010 type
Type	N100 D010 DLUT96	<input type="checkbox"/> Electronic, 100W max. <input type="checkbox"/> Dimming via 0-10Vdc <input type="checkbox"/> Lutron Hi-Lume Premier 96W
Voltage	UNV CP	<input type="checkbox"/> Universal 120-277V N100, D010 & DLUT type <input type="checkbox"/> Chicago Plenum rated enclosure

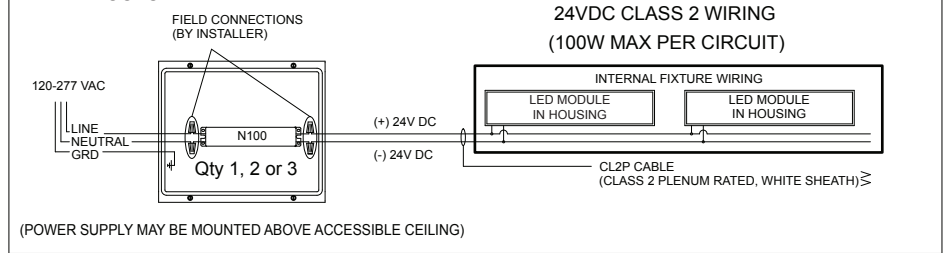
REMOTE POWER SUPPLY R-XXX-UNV



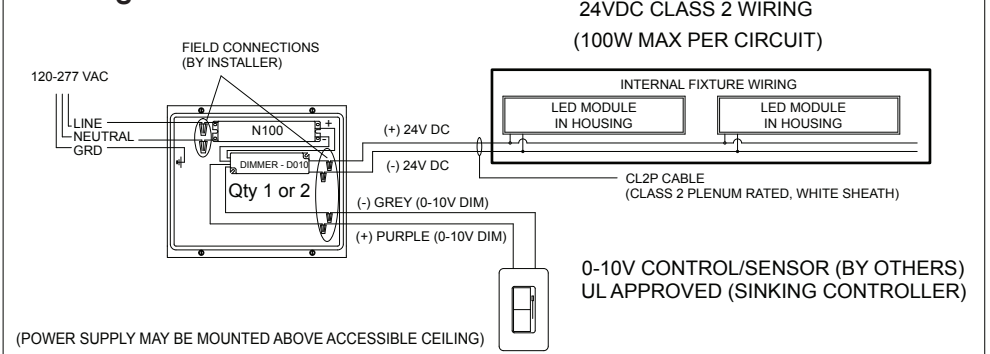
R-DLUT96-UNV

Remote power supply 24Vdc Constant Voltage Output.
 50/60Hz, 120 thru 277V input.
 Class A sound rated.
 Rated for Damp location use, Non-IC installations.
 Dims below 1% with 3-Wire dimmer or EcoSystem™
 Requires 25W minimum load.
 For more info visit:
<http://www.lutron.com/TechnicalDocument>

R-x-N100-UNV



Dimming - R-x-DO10-UNV



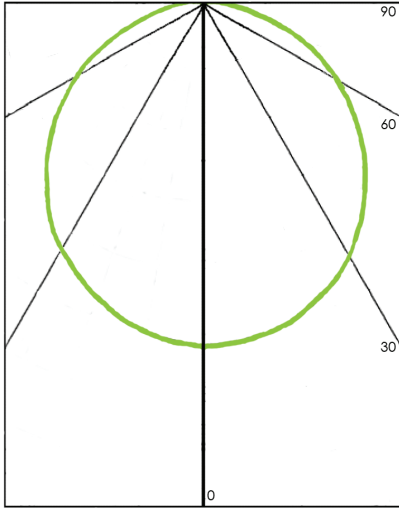
Photometric Data

BALLabs
Independent LM-79
Test No. 17943.0

Cat No.: LL15-2AML-35-1-W-R-S-24-S-in *
Meanwell Driver No.: LPV-20-24 operating at 120v
Total Lumens: 1142
* Multiply all data by .50 for 1ML lamping
Multiply all data by .60 if 2P wire harness is used

This is an absolute test per LM-79-08
Luminous Length: 24"
Width: 2.5"

Candlepower Distribution (cd)



Angle	Along	45°	Across
0°	410	410	410
5°	415	411	407
10°	407	400	399
15°	399	394	389
20°	385	378	372
25°	367	359	355
30°	348	338	334
35°	324	313	310
40°	300	291	287
45°	272	267	260
50°	243	234	229
55°	209	201	197
60°	178	172	165
65°	149	141	137
70°	111	106	105
75°	81	78	77
80°	48	48	45
85°	23	22	24
90°	0	0	0

Zonal Lumen Summary

Zone	Lumen	% Luminaire
0-30°	315	27.7%
0-40°	512	45.1%
0-60°	894	78.7%
60-90°	242	21.3%
90-180°	0	0%
0-180°	1,136.00	100%

Luminance Data (cd/m2)

Angle	Along	45°	Across
45°	16411	16065	15660
55°	15530	14960	14604
65°	14986	14213	13826
75°	13262	12788	12630
85°	11252	10783	11721

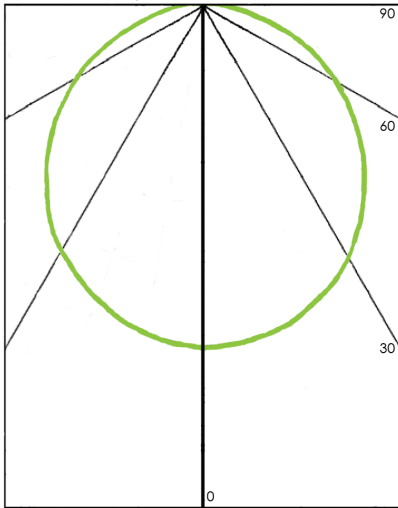
Photometric Data

BALLabs
Independent Test No. 17940.0

Cat No.: S25-MC5-2ML-35-1-W-R-S-24-S-in*
Meanwell Driver No.: LPV-20-24 operating at 120v
Total Lumens: 701
* Multiply all data by .50 for 1ML lamping

This is an absolute test
per LM-79-08
Luminous Length: 24"
Width: 2.5"

Candlepower Distribution (cd)



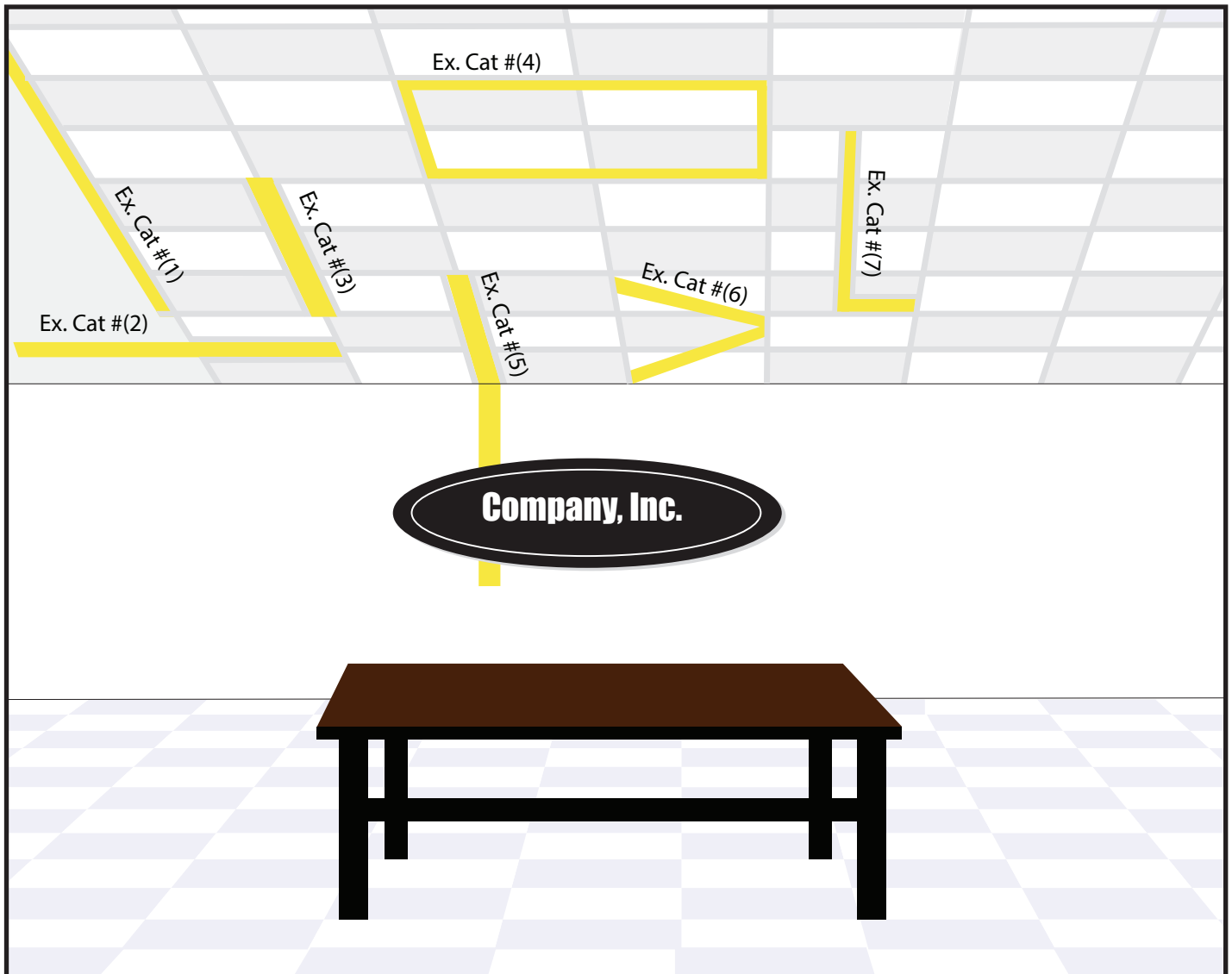
Angle	Along	45°	Across
0°	259	259	259
5°	262	259	256
10°	256	252	251
15°	252	247	246
20°	240	236	234
25°	230	225	225
30°	219	214	211
35°	202	199	197
40°	186	180	179
45°	166	163	162
50°	149	144	145
55°	128	124	125
60°	107	105	104
65°	85	84	82
70°	65	54	64
75°	43	42	40
80°	25	24	26
85°	9	7	10
90°	0	0	0

Zonal Lumen Summary

Zone	Lumen	% Luminaire
0-30°	198	28.4%
0-40°	322	46.1%
0-60°	560	80.2%
60-90°	139	19.8%
90-180°	0	0%
0-180°	699	100%

Luminance Data (cd/m2)

Angle	Along	45°	Across
45°	6017	5905	5868
55°	5713	5529	5575
65°	5128	5065	5003
75°	4288	4186	3982
85°	2729	2122	3032



Ex. Cat. #s (XX denotes lengths). Shop drawings will be created for all details to be confirmed:

- (1) Divider between drywall and ACT ceilings:
C-GL25-2ML-35-1-W-R-S-XX-MF/9F-FL/FR-S-WH-in
- (2) Transition from ACT to drywall ceiling:
C-GL25-2ML-35-1-W-R-F-XX-9F-XX-MF-F-WH-in
- (3) Straight Run in ACT ceiling:
C-GL15-2AML-35-1-W-R-F-XX-9T-A-F-WH-in
- (4) Rectangle XX by XX lengths measured along outside of lens:
C-GL25-2ML-35-1-W-R-RECF __x__-9F-A-WH-in
- (5) Transition from ACT ceiling to SimpleLine in wall:
C-GL25-1ML-35-1-W-R-F-XX-9F-A-IC90-WH-in / S25-MC5-1ML-35-1-W-R-IC90-XX-M-in
- (6) Non-90 deg. pattern in ACT ceiling:
C-GL15-2AML-35-1-W-R-PATTERN #x-WH-in
- (7) L shape in ACT ceiling:
C-GL15-2AML-35-1-W-R-F-XX-9T-A-RT90-XX-F-WH-in