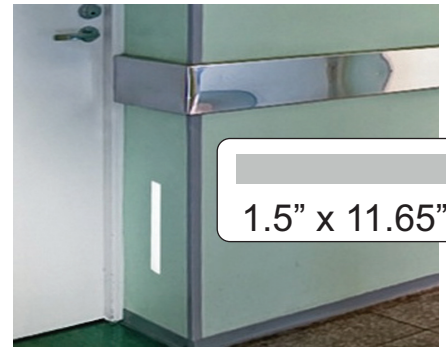
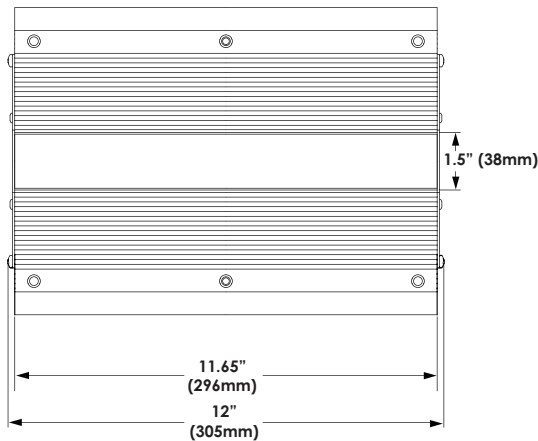
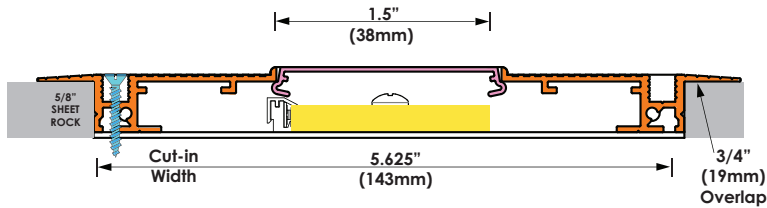


Type:



- 1.5" x 11.65" White or colored luminous lens
- Smooth Flush installation in plaster and drywall
- Zero Cavity construction allows precise placement without special framing
- Units fits within thickness of the finished wall material

Specification



Housing

All aluminum housing mounts with screws to studs, joists and hat channel just like drywall to create a monolithic heat sink. Use cut-in housing for remodel and European style installations. Aluminum heat sink pads conduct heat away from LED for improved performance, life and color. Fits common drywall and plaster thickness. Housing lip is mudded into surface to provide trimless installations. Ships with 15ft CL2P cable to wire to remote power supply. IC rated. ETL listed.

LED

Under driven Low Wattage (0.25W) White light LEDs produce even distribution with no shadows. Blending and overlapping optics of LED keep color uniform, 3000K 80+CRI. 12V constant voltage supply.

Optics

Light guide for diffusing multiple LED sources. 9" cables with DC barrel connectors for quick installation and easy replacement. Snap in high transmission, matte white acrylic lens provides a lambertian distribution for a dimensionless appearance. Lens sits flush with wall surface.

Driver

Remote power supply – see next page for details.

Modifications

Optional Artisan Glass tiles provide for focal elements. For unique custom work, consult factory and additional specification sheets for additional apertures and details.

Ordering

Series	DM111	<input type="checkbox"/> Mud in 1.5" x 11" rectangle
Mounting	MC5	<input type="checkbox"/> New or Cut-In construction 5/8" drywall or thicker
Driver	R	<input type="checkbox"/> Remote
<hr/>		
Driver*	R	<input type="checkbox"/> Remote
Drive Qty Per	-	<input type="checkbox"/> Blank for ELV type & DLUT type
Power Supply X		<input type="checkbox"/> Factory determined with N100 or D010 type
Type	ELVxx	<input type="checkbox"/> Elec low voltage, 20, 40 or 100W max.
	N100	<input type="checkbox"/> Electronic, 100W max.
	D010	<input type="checkbox"/> Dimming via 0-10Vdc
	DLUT96	<input type="checkbox"/> Lutron Hi-Lume Premier 96W
Voltage	UNV	<input type="checkbox"/> Universal 120-277V N100, D010 & DLUT type
	120	<input type="checkbox"/> 120 for ELV type
	CP	<input type="checkbox"/> Chicago Plenum rated enclosure

* See Power Supplies spec sheet for additional versions and details

Environmental Data



For 3000k:
W: 9.8W per unit
Up to (4) units on one 40W driver

Operating ambient -20C (-4F) to 30C (86F)
Fixture and components certified to cETLus standard & are RoHS compliant.
No mercury
Warranty: 2 years

R-ELV Driver

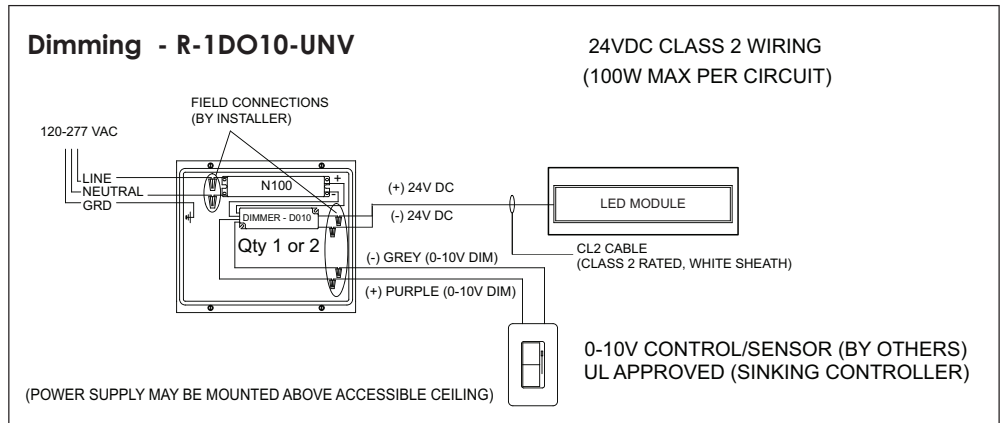
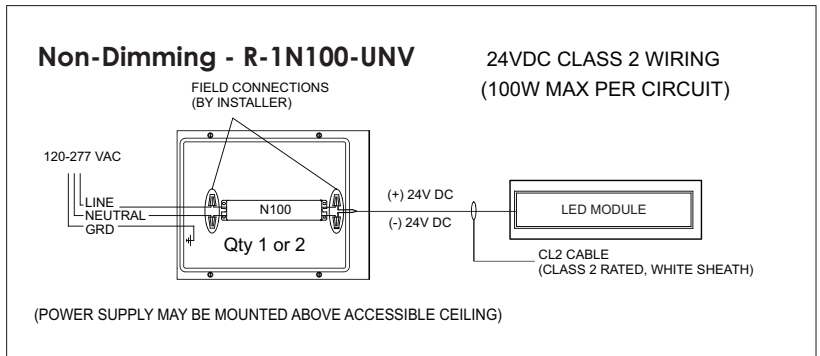
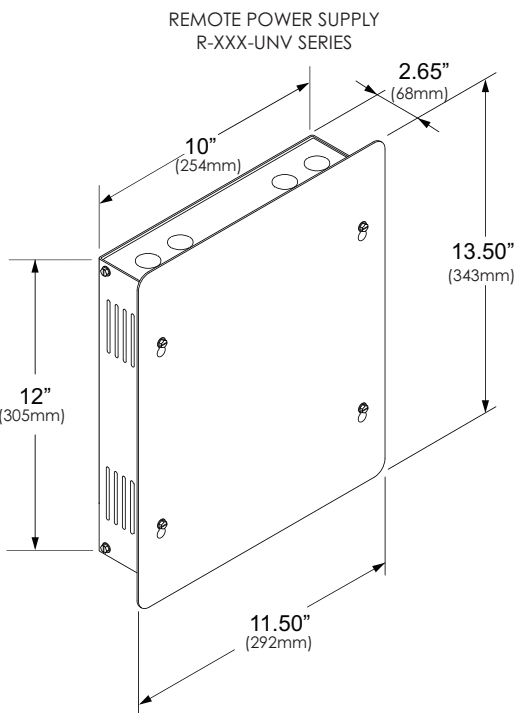
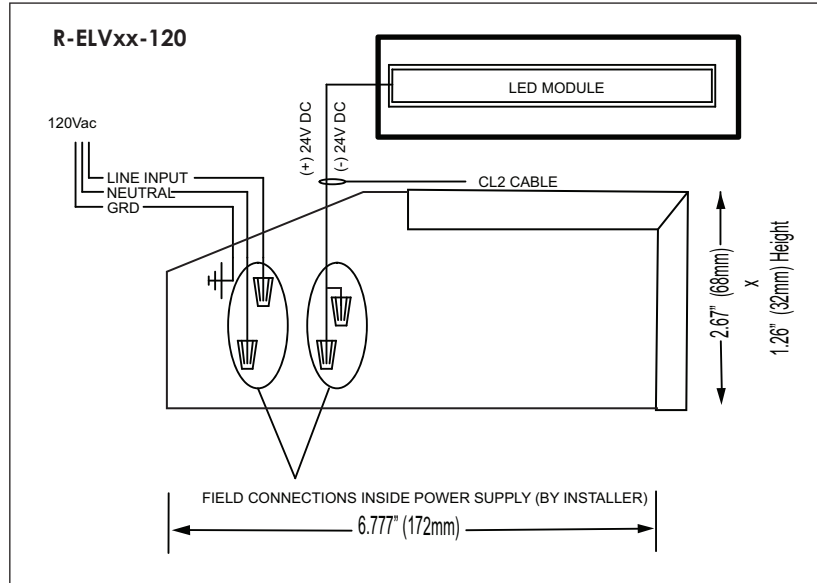
Economical electronic remote mounted power supply with 24Vdc Constant Voltage output for simple class 2 installation.
 20W, 40W; 96W input, 60Hz.
 Dims to 20% with forward phase 2-wire magnetic low voltage dimmer.
 Short circuit and overload protected.
 Non-IC installations.
 Listed for 90 C conductors with 1/2" trade size knock outs.
 NEMA 3R aluminum enclosure, rated for outdoor use
 See Power Supplies spec sheet for additional information and alternate power supplies.

R-xxx-UNV Drivers

Remotely located power supply with 24Vdc Constant Voltage output for simple class 2 installation.
 Electronic Drivers 50/60 Hz, 120 thru 277 input.
 Choice of 0-10V dimming or switched on/off. 0-10V dimmable drivers may flicker below 10%. Adjust low end trim of dimmer accordingly.
 Type A Sound Rating,
 Non IC installations standard; consult factory for IC installation.
 May be surface mounted or recessed in 2x4 walls or above accessible ceilings.
 Housing is die formed 16ga CRS with White painted after fabrication finish.
 Listed for 90°C conductors with 1/2" trade size Knock Outs.
 See Power Supplies spec sheet or consult factory for additional driver options.

R-DLUT96-UNV

Remote power supply 24Vdc Constant Voltage Output. 50/60Hz, 120 thru 277V input.
 Class A sound rated.
 Rated for Damp location use. Non-IC installations.
 Dims below 1% with 3-Wire dimmer or EcoSystem™
 Requires 25W minimum load.
 For more info visit:
<http://www.lutron.com/TechnicalDocumentLibrary/369883.pdf>



Photometric Data

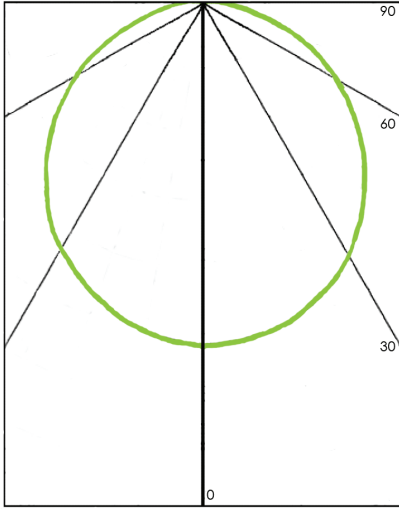
BALLabs

Independent Test No. 17940.0

Cat No.: S25-MC5-2ML-35-1-W-R-S-24-S-in*
 Meanwell Driver No.: LPV-20-24 operating at 120v
 Total Lumens: 701
 * All data needs to be multiplied by .5 for actual output of DM111 fixture

This is an absolute test per LM-79-08
 Luminous Length: 24"
 Width: 2.5"

Candlepower Distribution (cd)



Angle	Along	45°	Across
0°	259	259	259
5°	262	259	256
10°	256	252	251
15°	252	247	246
20°	240	236	234
25°	230	225	225
30°	219	214	211
35°	202	199	197
40°	186	180	179
45°	166	163	162
50°	149	144	145
55°	128	124	125
60°	107	105	104
65°	85	84	82
70°	65	54	64
75°	43	42	40
80°	25	24	26
85°	9	7	10
90°	0	0	0

Zonal Lumen Summary

Zone	Lumen	
0-30°	198	28.4%
0-40°	322	46.1%
0-60°	560	80.2%
60-90°	139	19.8%
90-180°	0	0%
0-180°	699	100%

Luminance Data (cd/m²)

Angle	Along	45°	Across
45°	6017	5905	5868
55°	5713	5529	5575
65°	5128	5065	5003
75°	4288	4186	3982
85°	2729	2122	3032

1. Mount and Level Housing.
 Cable to Remote Power Supply.



2. Install Drywall, Tape, Mud & Finish.



3. Snap in LED Module and Lens.

