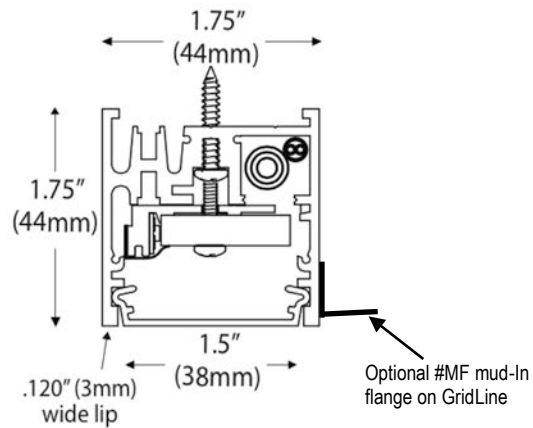
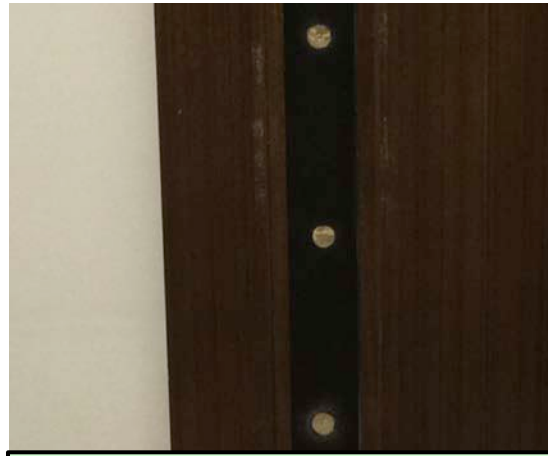


# Installation of the Dado GridLine Hardline & LiftLine Housing



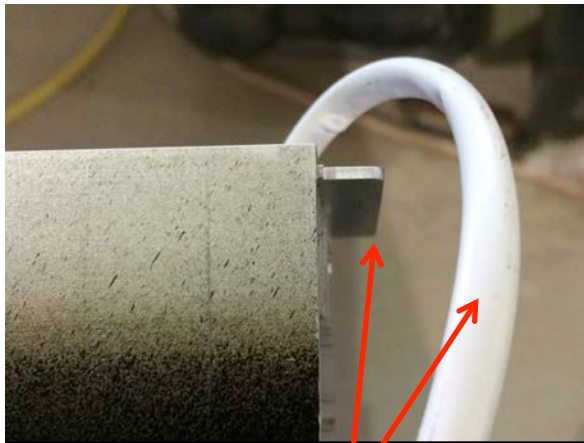
Housing can be surface mounted or inserted into 1-3/4" x 1-3/4" opening. (For use in drywall new construction or cut-in, add MF option. Tape and float over mud-in flange for a level 5 finish.



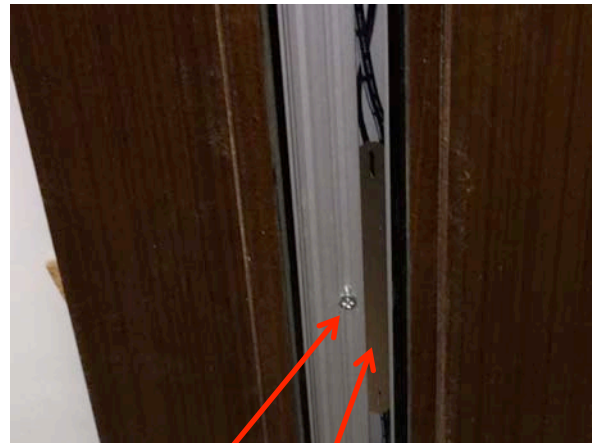
If wood is to be on all 3 sides, drill 3/4" vent hole every 6".



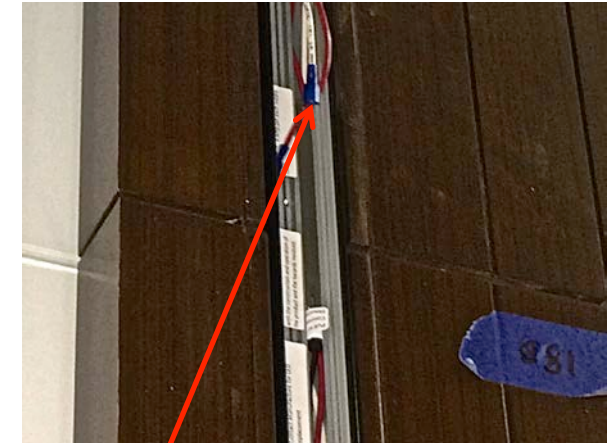
Housing sections are joined with barrel nuts and 9/64" Hex/Allen head screw. Housings with FC option can be field cut with non-ferrous blade. Brass barrel nut to rests in a Type X size hole .3970" within 15/16" of end.



CL2P cable exits end of housing to be routed to the remote power supply. Corner sections have tab to align apertures of housings in corner.



Secure housing to structure with drywall or similar screw through mounting holes every 12". Wire harness is retained with sliding stainless steel tabs.



Wire harnesses of multiple housings on same power supply are connected with mating DC connectors. May need to slide tabs to locate.