

Exterior HardLineLED 1.5 or 2.5 x 1-3/4"

Type:



Shallow lines of light with IP65 rating for exterior (or interior) applications.

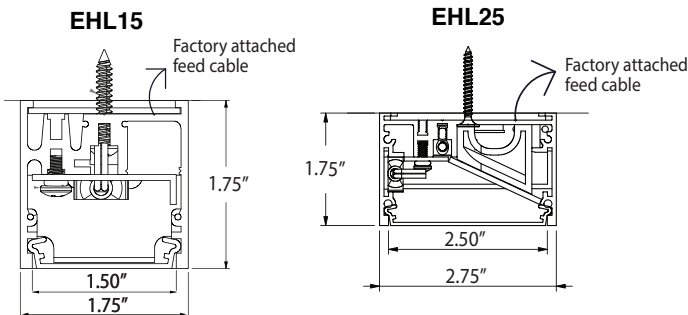
Mounts on or within hard surfaces.

Remote driver for easy maintenance & maximum life.

Order in any length for precise fit.

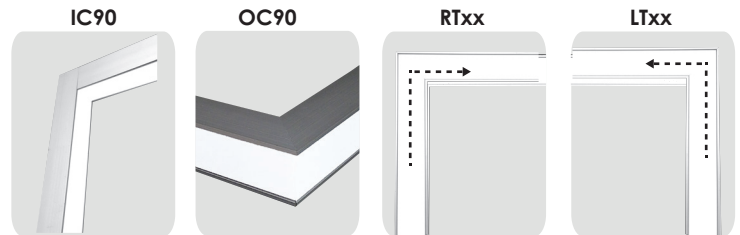
1.75" depth meets ADA when surface mounted.

Illuminated corners: Inside, Outside, Left or Right.



Ordering

Series	EHL15	<input type="checkbox"/>	Exterior HardLine LED 1.5 inch width
	EHL25	<input type="checkbox"/>	Exterior Hardline LED 2.5 inch width
Lamping	1EL	<input type="checkbox"/>	285Lu/ft LED 6.1w/ft (20w/m)
Color	35	<input type="checkbox"/>	3500K, 85+ CRI
	RGBW	<input type="checkbox"/>	RGB+3000K
Wire Harness	1	<input type="checkbox"/>	Single
Lens	W	<input type="checkbox"/>	White flush (Continuous up to 16')
Driver	R	<input type="checkbox"/>	Remote
Start End	S	<input type="checkbox"/>	Straight End
	Axx	<input type="checkbox"/>	Mitered ends (xx = 1° to 45°)
	MF	<input type="checkbox"/>	Mud Flange for use with stucco or EIFS
Length	xx	<input type="checkbox"/>	xx is distance in inch or mm
			<small>Add OAL to include 1/8" thick end caps in length</small>
Transition	PAT	<input type="checkbox"/>	Use to denote patterns as drawn
	LTxx	<input type="checkbox"/>	Left Turn same plane (degrees 66° to 179°)
	RTxx	<input type="checkbox"/>	Right Turn same plane (degrees 66° to 179°)
	OC90	<input type="checkbox"/>	Outside Corner (degrees 75° to 179°)
	ICxx	<input type="checkbox"/>	Inside Corner (degrees 75° to 179°)
Finish End	—	<input type="checkbox"/>	Choose from Start End choices listed above
Lip Color	NA	<input type="checkbox"/>	Natural anodized
	BZ	<input type="checkbox"/>	Bronze
	—	<input type="checkbox"/>	Other
	WH	<input type="checkbox"/>	White
	<small>(Add E if entire fixture needs color)</small>		
Units	in	<input type="checkbox"/>	inches
	mm	<input type="checkbox"/>	millimeters
Options	CL2Pxx	<input type="checkbox"/>	Longer length CL2P feed cable (std is 15ft) to reach remote power supply.
	CP	<input type="checkbox"/>	Chicago Plenum
	EF	<input type="checkbox"/>	Feed cable exits end (10' or shorter housings)
	EME	<input type="checkbox"/>	All feed cables labeled for connection to EM circuit
	EM5	<input type="checkbox"/>	5' section(s) in run labeled for connection to EM



Environmental Data

For 1EL lamping at 3500k:
 W: 6.1W/ft (20W/m)
 LLD: 50,000hrs @ 70%lm
 16ft (4.9m) on one 100w driver

Ambient Temp: 0° ~ 122°F (-20 ~ 50°C)
 No Mercury, No UV, No Flicker
 Warranty: 3 years
 cETLus Wet Listed IC Rated

Remote power supply separates the heat from the driver & LED to maximize the lifespan of both, and allows drivers to be located inside building, if needed, for easy maintenance.

R-FLV Driver

Forward phase low voltage remote mounted power supply with 24Vdc Constant Voltage output for simple class 2 installation. 20W, 40W, 60W or 96W; 120V 60Hz input. Minimum 50% watt load required; e.g. 10W on ELV20

Dims to 20% with forward phase 2-wire magnetic low voltage dimmer. Short circuit and overload protected.

Non-IC installations.

Listed for 90 C conductors with 1/2" trade size knock outs. NEMA 3R enclosure.

R-xxx-UNV Drivers

Remotely located power supply with 24Vdc Constant Voltage, or Constant Current, output for simple class 2 installation. Electronic Drivers 50/60 Hz, 120 thru 277 input.

Choice of 0-10V dimming or switched on/off. Dimmable drivers with 3KL, 1ML, or 2ML may flicker below 10%. Use Constant Current version to dim to 1%.

Nxx requires 8W and D010 requires 20W minimum load

Type A Sound Rating,

Non IC installations standard; consult factory for IC installation.

May be surface mounted or recessed in 2x4 walls or above accessible ceilings.

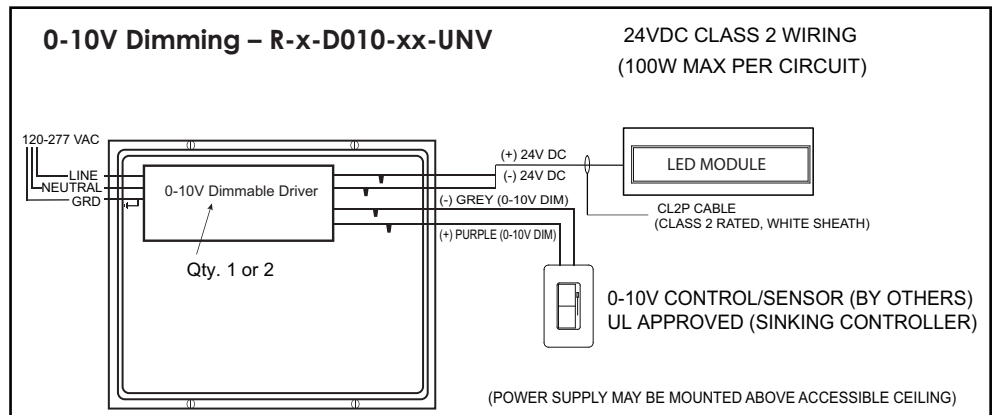
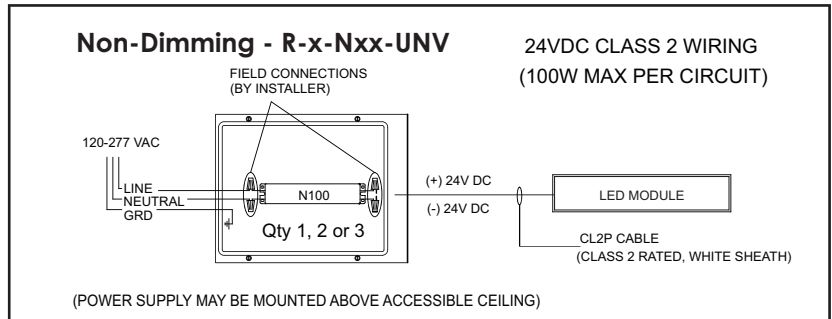
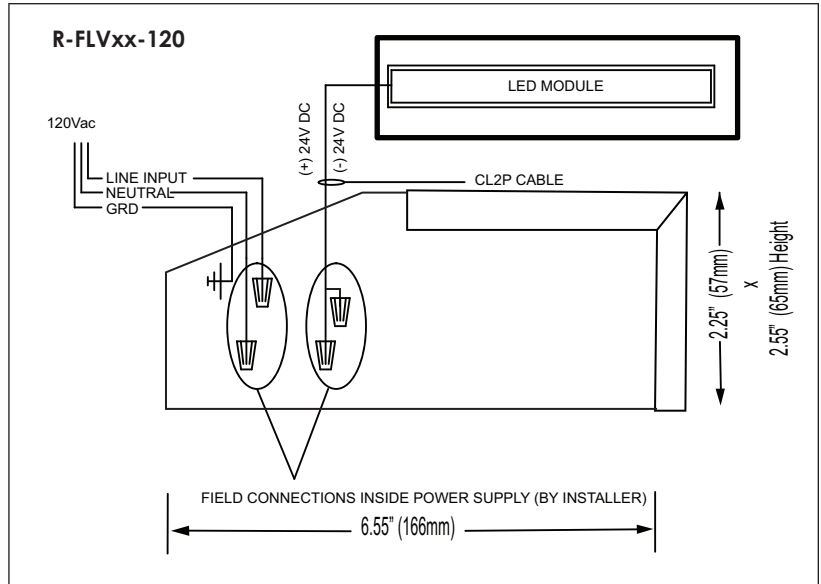
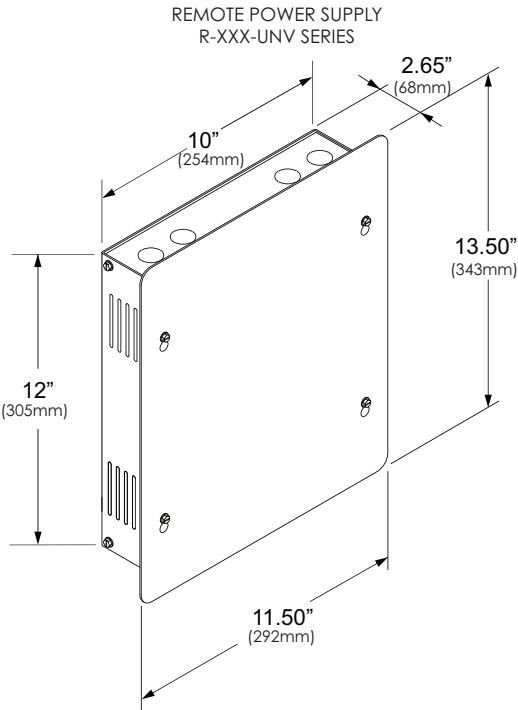
Housing is die formed 16ga CRS with White painted after fabrication finish.

Listed for 90°C conductors with 1/2" trade size Knock Outs.

Driver*	R	<input type="checkbox"/> Remote
Drive Qty Per Power Supply	-	<input type="checkbox"/> Blank for FLV & DLUTP type
	X	<input type="checkbox"/> Factory determined with Nxx or D010 type
Type	FLVxx	<input type="checkbox"/> Forward phase low voltage, 20, 40, 60 or 96W
	Nxx	<input type="checkbox"/> Non-dim 100W max.
	D010	<input type="checkbox"/> Dimming via 0-10Vdc
	DDMX	<input type="checkbox"/> Dimming via DMX
	DDMX	<input type="checkbox"/> Dimming via DALI
Voltage	UNV	<input type="checkbox"/> Universal 120-277V for Nxx or D010 type
	120	<input type="checkbox"/> 120 only for FLV type
	CP	<input type="checkbox"/> Chicago Plenum rated enclosure

*Constant factor for Lutron driver options.

**Constant Current requires a factory programmed driver for each LED panel.





Exterior HardLineLED 1.5 or 2.5 x 1-3/4"

Housing

Extruded aluminum housing mounts via screws to structure.

Surface material* (metal, tile, stone, etc.) can abut housing sides.

* If wood on 3 sides, drill 3/4" holes behind fixture every 6" to ensure adequate venting.

Anodized for superior thermal performance & weather protection.

Weep holes in housing allows any moisture to exit fixture.

Housings ship with 15ft CL2P cable attached to back, to reach remote power supply (consult factory for End exit). Longer lengths optional, or 12A WG wire can be added on site; up to 20' with D010 or 50' with N100 & EL V drivers.

One-piece extrusions up to 123" (3.12m). Multiple extrusions couple together with brass barrel connector & bolt assembly plus alignment pins for secure fit and straight alignment.

Inside corner sections overlap for even illumination without direct view of LEDs.

ETL listed, IC rated, wet location.

Modifications

Runs can be provided to the nearest 1/16" or 1mm.

For unique custom work, such as sharp corners, consult factory for shop drawings.

Transitions

When lens changes directions (Minimum length 3.875" or 98mm per side).

"LT" Left Turn same plane (degrees 90° to 179°); pre-assembled at factory

"RT" Right Turn same plane (degrees 90° to 179°); pre-assembled at factory

"IC" inside corner between two planes. Housings overlap and tab together for alignment.

"OC" outside corner around two planes; pre-assembled at factory. 90° standard, consult factory for other angles.

LED

Fully encapsulated LED board is IP65 rated for wet locations.

LED boards attached to aluminum heat sink at factory (no need to clean surface with alcohol on site to prevent air bubbles under

Low wattage white light LED produces even distribution with no shadows.

Binned within 3 MacAdam ellipses.

Optics

Panel plugs into housing via DC quick connects & is secured with screws for quick & easy replacement.

Snap-in high transmission acrylic lens with matte white finish, up to 16ft per section with flush W lens.

Option

"CP" Chicago Plenum rated housing with j-box for attachment of 1/2" EMT

"EME" (entire fixture) or EM5 (5' section of a run) with EM labeled feed cable(s). Requires relay by others to switch from normal to EM input at driver. Dado does not provide battery packs.

"EF" Feed cable exits end, instead of back, on 10' or shorter housings.