

OUTLINE™ FIXTURES

Shallow exterior-grade fixtures provide a visually wide line of light. Order in any length. Fixture breaks are planned for each individual project to occur within the rhythm of the architecture, ie floor to floor curtain wall, precast panel joints or expansion joints. Anodized and painted after fabrication ensures all components are protected from corrosion. IP67 Rated Light engine in W, RGB, RGBW configurations.

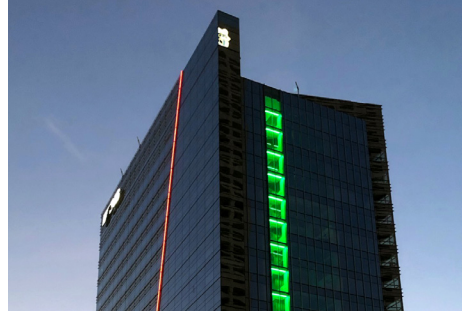
BENEFITS

- Shallow fixtures are easy to integrate into exterior facade.
- Provides more visual presence than narrow neon-like replacements.
- Angle ends, turns and outside corners are designed to provide uninterrupted lines of light at critical corners.
- Remote power supplies put the sensitive electronics in easy to service interior or parapet zones.
- Can provide left/right turns and inside/outside corners creating unlimited flexibility in patterns.

PROJECT EXAMPLES

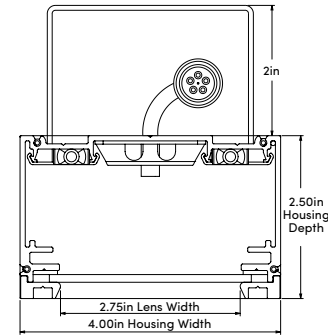


NCR, Global Headquarters, Atlanta, GA



Norfolk Southern Headquarters, Atlanta, GA

CROSS SECTION DIAGRAM



PRODUCT	LAMPING/COLOR	WIRE HARNESS	LENS	DRIVER	LENGTH
OL40		1	PCW		
OL40 Lens 2.75" width	8E-27 8w/ft 2700K 80+ CRI 8E-30 8w/ft 3000K 80+ CRI 8E-35 8w/ft 3500K 80+ CRI 12E-RGB 12w/ft Red Green Blue 12E-RGB30 12w/ft Red Green Blue 3000K 12E-RGB40 12w/ft Red Green Blue 4000K	1 Single	PCW Polycarbonate White	R Remote	XX Distance in inch or mm. Provide OAL fixture length with 90° ends. <i>For other end angles, corner, inside/outside corner order PATxx</i> PATxx Provide drawing w/specialty angles, corners and turns. XX is total Line Length.

UNITS	OPTIONS
in Inches mm Millimeter	<i>Flanges can be added as needed, consult factory for details.</i>
POLY	Polycarbonate hinged door power supply enclosure for exterior PSE locations.
SJxx	Longer length exterior cable (std is 10ft) to reach remote PSE or interior wiring box.
EF	End feed, consult factory for runs over 30ft.
NWB	No Wiring Box, gasket is provided to run cable directly into building for remote wiring box (by others). Consult factory for more information.

POWER SUPPLY ENCLOSURES

- Remote mounted Power Supply Enclosures (PSE) may contain up to (3) 24vdc Constant Voltage (CV) or Constant Current (CC) Drivers for simple Class 2 installations.
- May be mounted as surface mounted or recessed in 2x4 walls, or above accessible ceilings.
- PSE1, PSE2, Enclosures are die formed 16ga CRS with white painted after fabrication finish.
- PSE x is 16ga Aluminum.

- Rated to Wet location use, Non-IC installations. Consult factory for IC installations.
- Chicago Plenum CP enclosures (PSE5) 16ga TIG welded.
- All drivers are short circuit and overload protected.
- Listed for 90C conductors with 1/2" trade size knock outs.
- Nema 3R rating enclosures.
- All drivers are 120V thru 277V, 50/60Hz except for XXXXXXXX, 347V and other world voltages are available. Consult factory for lead time.

POWER SUPPLY OPTIONS

DRIVER	QTY	CONTROL TYPE	WATTAGE	PSE STYLE	DIMMING LEVEL	LINKS
R	X (factory determined)		X (factory determined)	X (factory determined)	<i>Dimming level percentage</i>	<i>Wiring Diagrams & additional info</i>
R (Remote)	X (1, 2) (1) (1)	D010 DMX PDMX	X (100, 80, 60, 40) (100) (100)	X (Std) (E) (Std, E)	10% 1.0% 1.0%	Link Link Link
add CP for Chicago Plenum						

DRIVER NOTES

D010 Dimming Electronic drivers - Input 120V thru 277V, 50/60Hz. 0-10v Dimming or on/off switching, Dimmable Drivers with 2ML, 1ML, 3KL may flicker below 10%, Use Constant Current version to dim to 1% without flicker. Requires 20W min load. Available wattages 100, 80, 60, 40.
DMX Digital Multiplex, Bi directional RDM v1.0 (E1.20-2006 ESTA standard) addressable DMX decoder. Up to 5Ch output (RGBW). Input 120V thru 277V, 50/60Hz. input and output data ports are 3wire/XLR/RJ45. For simple fixed color applications without Master DMX control system see PDMX.

PDMX Programmable DMX control for fixed color applications. Works well with gels or filters. Use rgb, rgbW to create a pop of color without DMX master control systems. Input 120V thru 277V, 50/60Hz. Provide R/G/B/W % or DMX value. Decoders are programmed at the factory. No DMX cable required between remote locations.

HOUSING

- Extruded aluminum housing, (0.075nomial) anodized and painted for superior performance.
- Extruded aluminum lens bezel is standard anodized. Can be painted for custom colors.
- Housing ships with 10ft SJO cable attached with IP67connector to back. Longer lengths available. IP67 intermediate connectors available to better work with construction process and schedules.
- Housing may be ordered with/without back wiring compartments, specific to project details.
- Housings can provide left/right turns (45°-179°), inside/outside corners (30°-179°). Angle are defined as between the two housing segments.

MODIFICATIONS

- For unique patterns, modifications or to combine onto other ceiling materials, consult factory for shop drawings.

LED

- LED Boards are attached to aluminum heat sink at factory, so no need to clean surface with alcohol on site.
- Binned to 3MacAdam Ellipses.
- Blending and overlap of led optics keep color and light output uniform.

OPTICS

- Light Guide Panel (LGP) is removable to access LEDs.
- LGP diffuses multiple LED sources, so there are no hotspots or pixelations.

LENS

- Matte white polycarbonate lens provides smooth pixel-free illumination.
- Shiplap ends allow a continuous line of light over long lengths.
- Custom graphics can be added by factory. Ink is UV cured to resist flaking, scratches, and fading.

OPTIONS

- **POLY** – polycarbonate hinged door Power Supply Enclosure for exterior PSE locations.
- **Sjxx** – longer length exterior cable (std is 10ft) to reach remote PSE or interior wiring box.
- **EF** – End Feed, consult factory for runs over 30ft.

OTHER

- Approved shop drawings required for all patterns.

PHOTOMETRIC DATA

LightLab International Allentown LLC
Independent Test No. LLIA001533-001A
Candlepower Distribution (cd)

Cat No: OL40-RGBW-48"
One MeanWell HLG-40H-24B LED driver

Tested according to LM-79-08
Luminous Length: 48"
Width: 4"

Multiplication Factors

30K
35K
40K
K
K
K

Lumen Output

Input Voltage	120.0 V
Input Power	45.35 W (8.8W/ft)
Power Factor	0.993
Current THD	4.8%
Luminous Flux	691.5 m/ft
Total Efficacy	15.2 lm/W

Color Data

CCT
CRI (Ra)
R9
TM-30: Rf
TM-30: Rg

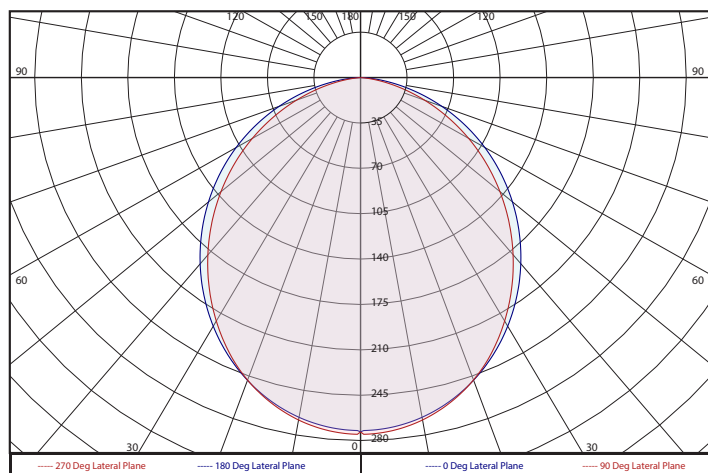
Zonal Lumens

Zone	Lumen	% Luminaire
0-30°	206.7	29.8%
0-40°	332.7	48.0%
0-60°	567.1	81.9%
60-90°	124.4	18.0%
90-180°	0.0	0.0%
0-180°	691.5	100%

Angle	Along	45°	Across
0°	273	273	273
5°	271	271	273
10°	266	266	268
15°	259	259	260
20°	248	248	248
25°	236	235	234
30°	221	219	217
35°	205	201	198
40°	188	182	179
45°	169	163	158
50°	149	142	137
55°	129	121	116
60°	108	99	94
65°	87	78	72
70°	65	56	52
75°	44	36	32
80°	25	18	15
85°	9	4	3
90°	0	0	0

Average Luminance (cd/m²)

Angle	Along	45°	Across
0°	3070	3070	3070
45°	2680	2581	2510
55°	2523	2364	2262
65°	2303	2064	1926
75°	1925	1571	1398
85°	1139	579	336



Visit dadolighting.com for complete photometric data.

ENVIRONMENTAL DATA

Temp range: 0°-90°F (-20 - 30°C)
No Mercury, No UV, No Flicker
Warranty: 5 years
cETLus Wet Listed IC Rated

Contact factory for construction details to install in environments with ambient temperatures above 90° F for more than 5 hours.

Specifications and dimensions subject to change without notice. Protected under U.S. Pat. 8109659 and other patents pending. OutLine™ dado lighting.

©2022 dado lighting | Version: OL-001B | dadolighting.com | info@dadolighting.com | 708.608.3236 (dado)